

Description

The SF2 type is a single spring flanged safety valve suitable for Steam, Hot and Cold water.

Limiting Conditions

Body Design Condition	PN16
Maximum Design Temperature	225 °C
Maximum Cold Hydraulic Test Pressure	30 kgf/cm ²
Maximum Allowable Pressure	15 kgf/cm ²
Minimum Allowable Pressure	3 kgf/cm ²



Operating Range

3 to 15 kgf/cm² by the order.

Note: 10 kgf/cm² set pressure is always available. The other pressure sets will be available by the order.

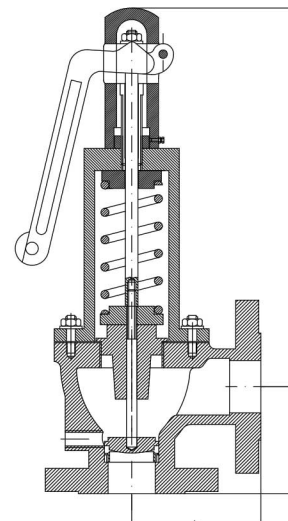
Sizes and Pipe Connections

DN 40 and 50 Flanged (DIN 2502)

Dimensions / Weights (Approximate) mm and kg

Connection		L	G	H	Weight
Inlet	Outlet				
DN 40	DN 40	120	100	325	16
DN 50	DN 50	120	100	330	17

Constructions are a bit different according the sizes.





E.S.E. Valve Co. Ltd.

021 66479486

0912 8448763

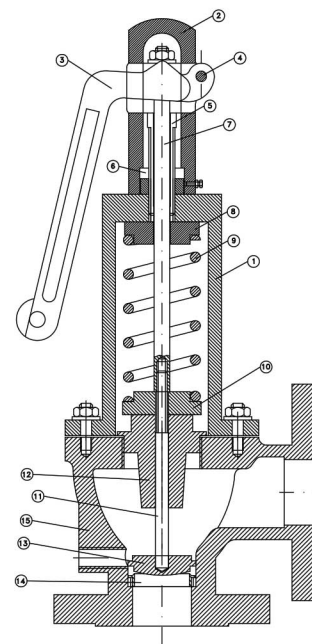
فروش

E.S.E. Valve Co.

Single Spring Safety Valves - SF2

Materials

No.	Part	Material
1	Bonnet	GG 25
2	Cap	Gray Cast
3	Lever	Gray Cast
4	Pin	C.S.
5	Adjusting Bolt	Brass
6	Adjusting Nut	Brass
7	Spindle	C.S.
8	Spring Washer Up	Gray Cast
9	Spring	Cadmium Plated
10	Spring Washer Down	G.G. 25
11	Disc Rod	AISI 304
12	Guide	Brass
13	Disc	AISI 304
14	Seat	AISI 304
15	Body	GG 25



Safety Valves Capacities for Steam (kg/h)

Size	Set pressure kgf/cm ²					
	3	4	6	8	10	15
DN 40	800	1000	1400	1800	2200	3200
DN 50	1100	1400	2000	2600	3100	4600

Safety Valves Capacities for Hot and Cold Water (kg/h 10³)

Size	Set pressure kgf/cm ²					
	3	4	6	8	10	15
DN 40	6	7	8	10	12	15
DN 50	10	11	14	17	19	24

Calculation Formula for Relieving Capacity

Considering thermal input of the vessel

$$W = 0.840 \times 10^{-3} Q \quad W = \text{Relieving capacity (kg/h)} \quad Q = \text{Thermal input (kcal/h)}$$

Installation

The safety valve should always be fitted with the center line of the spring housing vertically above the valve.

Note: The condensed drain must be fitted.

How to Order

Example: SF2 – DN40, Set Pressure 6 kgf/cm² for cold water.

Design and specification are subject to change without notice